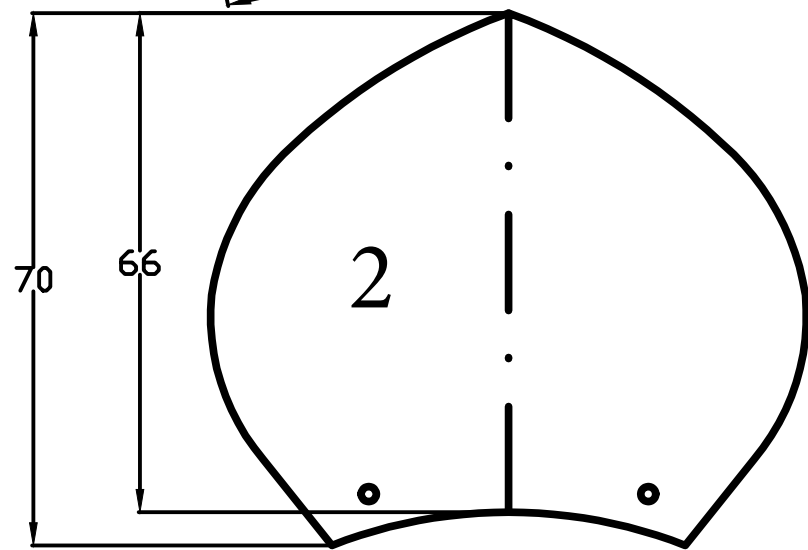
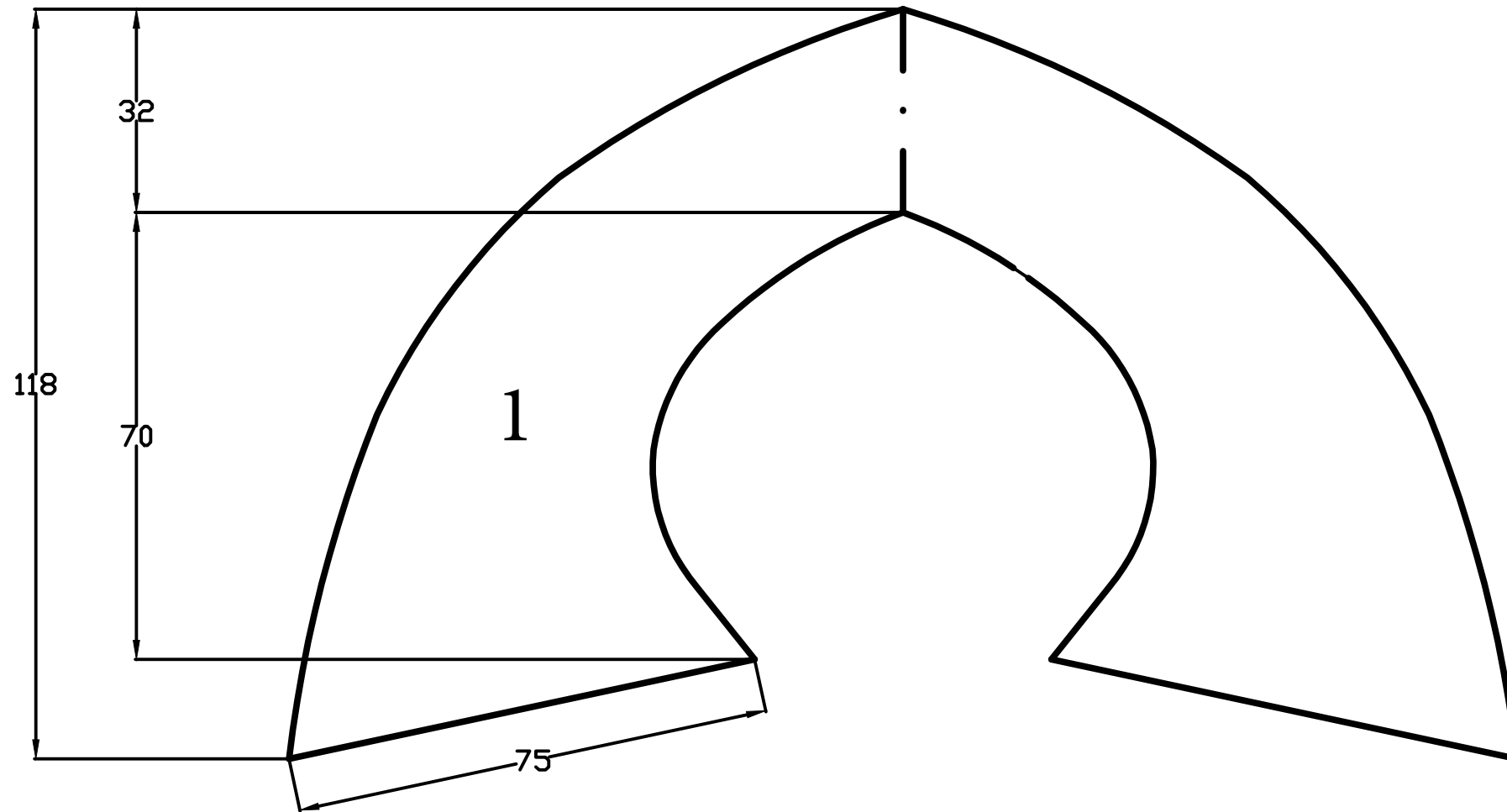


EarGear Block Pattern

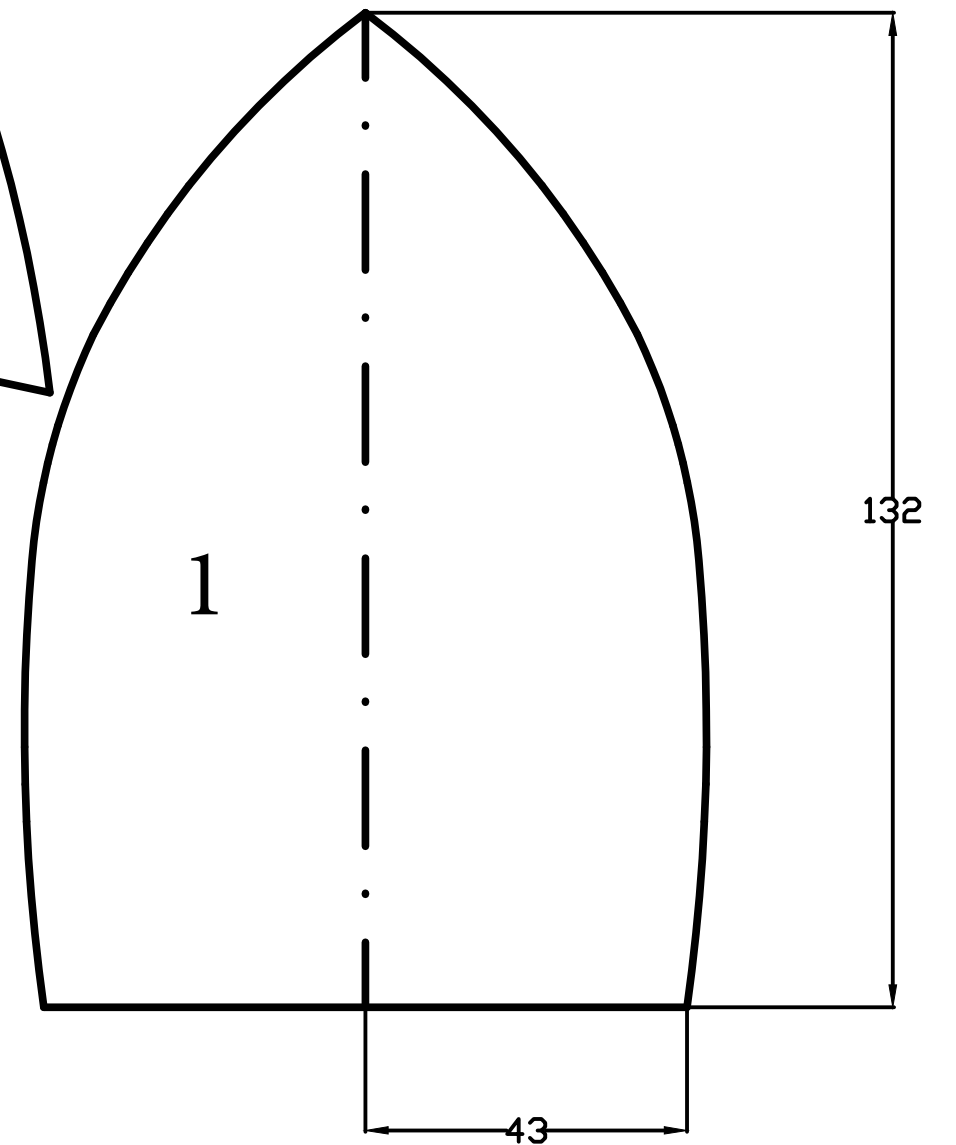
NOTES

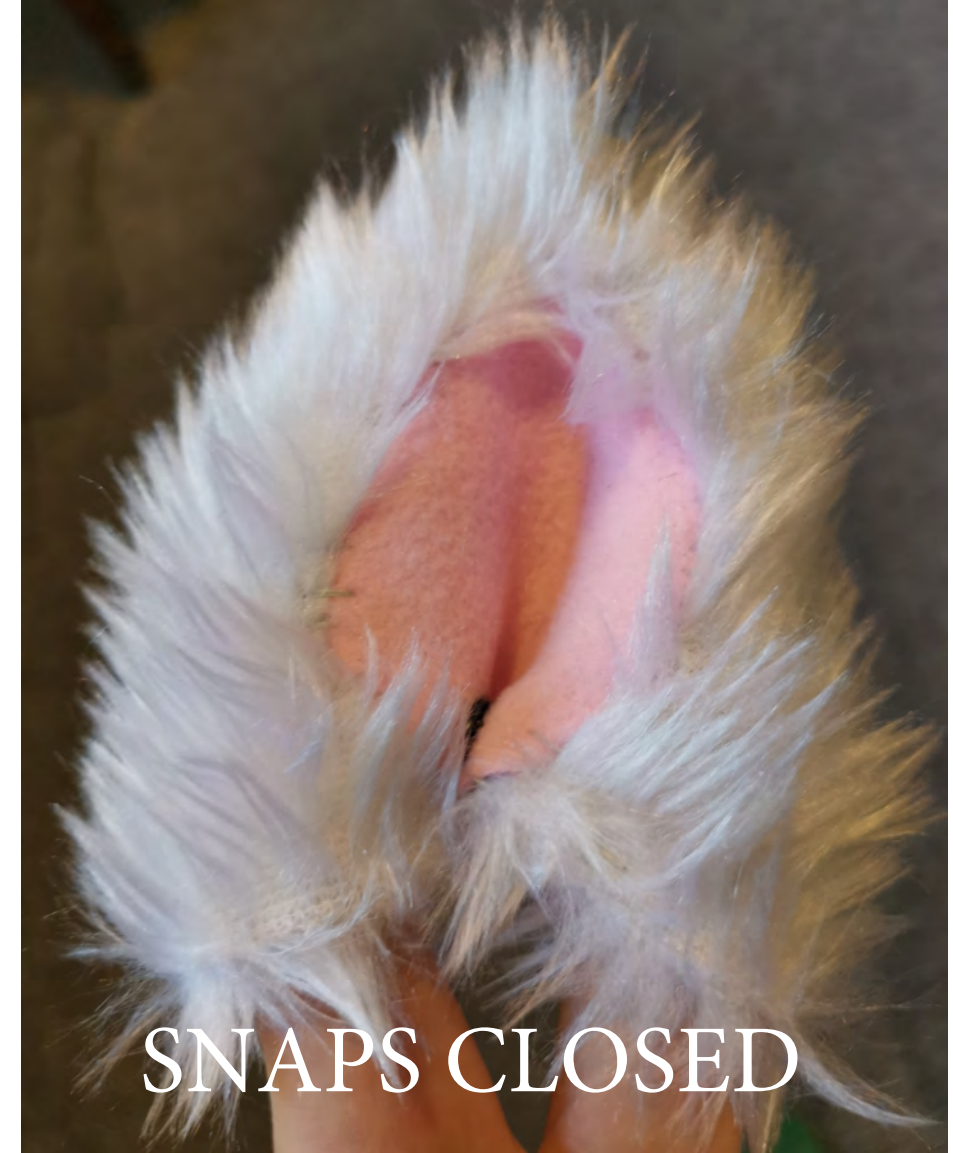
Each ear is symmetrical and left and right ears are identical.
 Parts marked 1 are the outer ear. Parts marked 2 are the inner ear.
 There is no seam allowance shown on the pattern. We use a ziz-zag
 stitch on the edges of the fabric to sew them together.
 Part 2 shows poppers or snap fasteners location with circles.
 One is male, one is female.
 Poppers should be a similar color to fabric 2.
 Both parts marked 1 will need to be finished at the bottom edge to
 prevent fraying.



Poppers or snaps shown as circles

There are four standard colour pairs





Please note that the snaps should be a suitable color for the inner ear. Ideally, pink or white. Not black as shown.